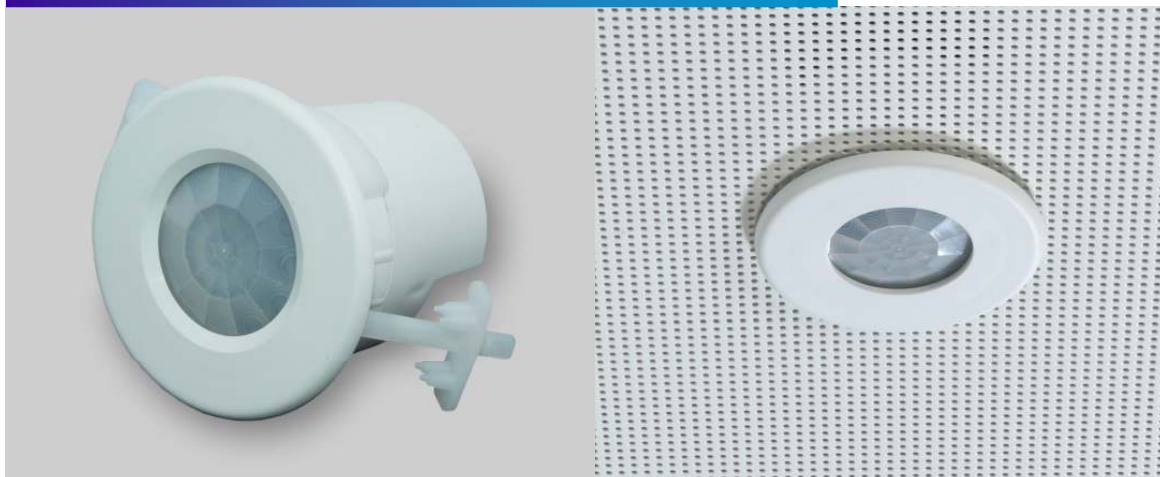


PRODUCT DATA AND INSTALLATION SHEET

RAPiD

Lighting Control System

EBS-CPIR CEILING PRESENCE DETECTOR



DESCRIPTION AND OPERATION

The EBS-CPIR presence detectors are designed to provide automatic control of lighting via the RAPID lighting control system. They detect movement using a PIR sensor and turn the load on. When an area is no longer occupied the load will switch off after an adjustable time out period. An adjustable internal light sensor provides light level information to the RAPID system to allow lights to be kept off if sufficient daylight is present, and to enable maintained illuminance for dimming systems.

An integral IR sensor in the unit allows the unit to be commissioned, and used in conjunction with a remote control handset (part no: UHS) to:

- Act as a conventional dimmer
- Override the unit on or off
- Change the maintained illuminance lux setting

INSTALLATION & FIXING

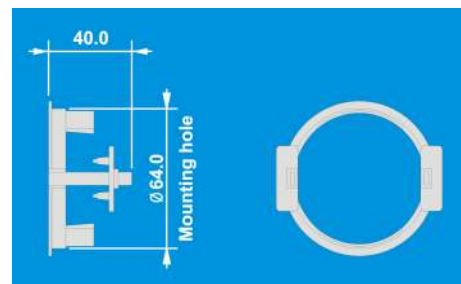
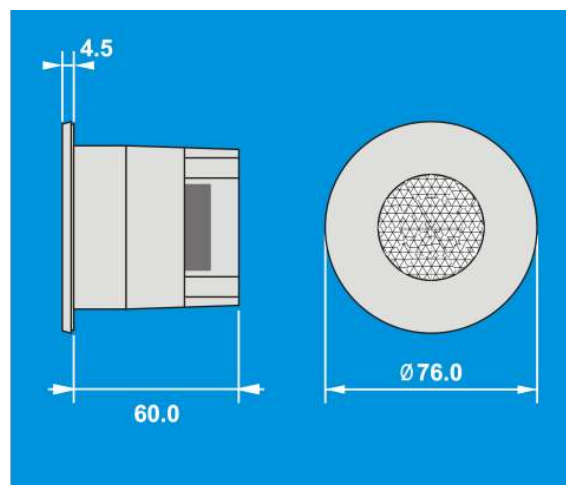
Wire the products as in the diagram, simply by connecting to the relevant port of the Vitesse Plus marshalling box using a Cat5 patch cord. An additional RJ45 connector is provided to daisy chain sensors together.

The detector should be sited so that the occupants of the room fall inside the detection pattern shown overleaf, at a recommended height of 2.8m on the ceiling. Note that the lower the sensor is installed the smaller the detection range will be, subject to the parameters shown on the diagram.

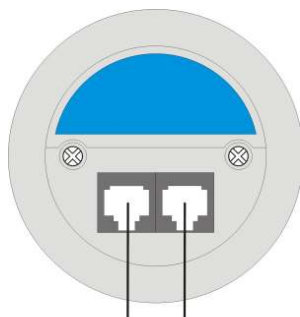
- Avoid direct sunlight entering the sensor.
- Do not site within 1m of forced air heating or ventilation.
- Do not site within 1m of any lighting.
- Do not fix to a vibrating surface.

To flush mount:

- Cut a 64mm hole in the ceiling
- Insert the mounting clip into the hole and carefully push the two fixings on the arms downwards until they grip firmly to the ceiling
- Push the unit fully into the mounting and commission as instructed below.

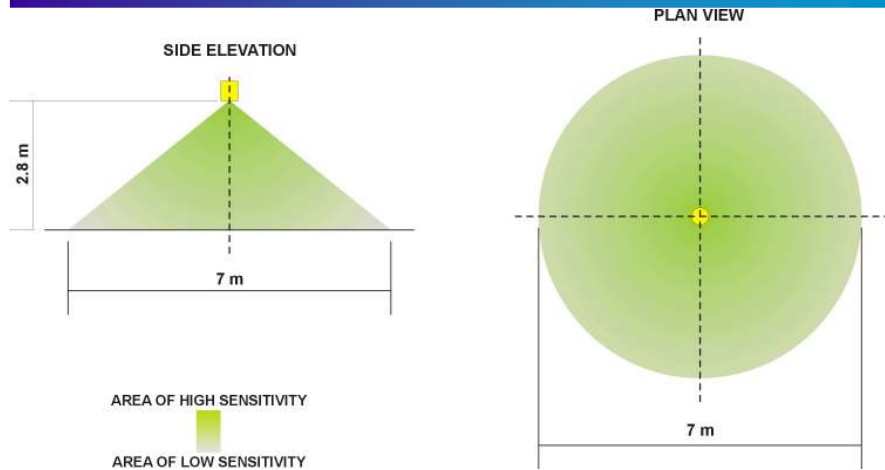


Flush mounting clip



RAPID BUS CONNECTIONS

DETECTION PATTERN



COMMISSIONING

Commissioning will normally be performed by our trained commissioning engineers. Please note that prior to commissioning, it is the responsibility of the installing contractor to ensure the following:

- The RAPID LCMs must be connected and installed as described in the relevant data-sheet
- The detectors must be installed and plugged into the channel of the LCM as shown on the system installation drawings
- Mains power must be available
- Luminaires must be plugged in
- Bus connection must be established and checked

The detector can be set up using our infrared programming handset or computer front end. For programming details see the separate programming document.

SPECIFICATION

LOAD

See datasheet for RAPID LCM

SUPPLY VOLTAGE	12VDC
TIME OUT PERIOD	Adjustable 1 minute to 99 minutes
LIGHT LEVEL	Light to dark
FIXING METHOD	Flush fixing in 64mm hole using clip provided
MATERIAL	Flame retardant ABS, fixing clip polypropylene
TYPE	Class 2
TEMPERATURE	-10°C to 35°C
CONFORMITY	EMC-89/336/EEC LVD-73/23/EEC



PART NUMBERS

EBS-CPIR	RAPID ceiling mounted presence detector
EBS-CPIRD	RAPID ceiling mounted presence detector for dimming systems

Due to our policy of continual product improvement Cableplan reserves the right to alter the specification of this product without prior notice.

Cableplan Ltd
Park House
Kylemore Park North
Dublin 10
Tel: + 353 (0) 1 626 8888
Fax: + 353 (0) 1 626 8889

www.park-house.ie
cableplan@park-house.net



Authorised User No. D0276



ESTA
energy systems trade association