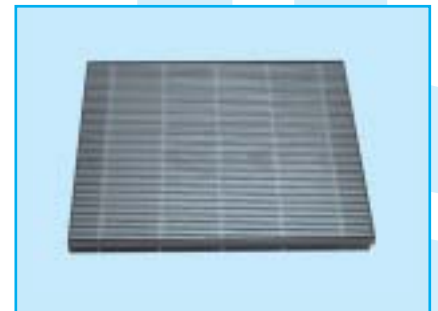
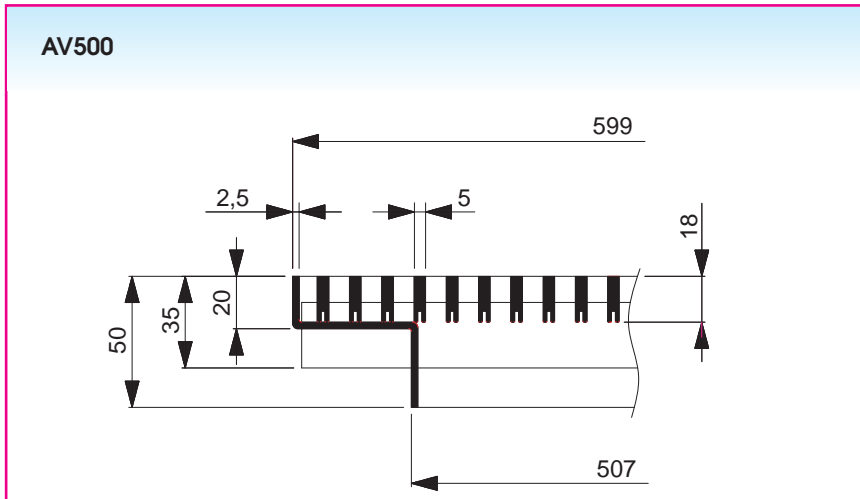


## COMPUTER FLOOR GRILLE AV500

### Installation dimensions



### Application

The grille type AV500 is designed for the supply and exhaust of cooled and heated air in technical or computer rooms. The grille is used with raised 600 x 600 mm modular floor systems and underfloor air distribution network.

### Selection table

SUPPLY				
Air Volume $q_v$ (m <sup>3</sup> /h)	Air velocity $v_k$ (m/s)	Pressure drop $\Delta p_f$ (Pa)	Throw $L_T$ (m)	Noise level (NR)
325	0,67	1	1,8	≤ 20
650	1,35	3	2,4	≤ 20
720	1,50	4	2,5	≤ 20
975	2,03	5	3,6	23
1300	2,70	8	5,0	26
1625	3,38	13	6,4	28
1950	4,05	19	7,8	30
2275	4,73	25	9,0	31
2600	5,40	32	11,0	34

EXHAUST		
Air Volume $q_v$ (m <sup>3</sup> /h)	Pressure drop $\Delta p_f$ (Pa)	Noise level (NR)
650	2	25
1300	6	27
1950	13	31
2600	22	34
3250	32	36
3900	43	42
4550	51	44
5200	66	47

### Technical information

#### Characteristics :

- overall size 599 x 599 mm
- straight bars 18 x 5 mm fixed on 5 support bars 25 x 3 mm
- bars on 12,5 mm centres
- the grille core can be removed
- standard depth = 20 mm (steel supports or adjustable screws can be delivered to suit requested depth)
- Successfully tested to comply with the specification and structural integrity requirements of European test standard EN13264 - heavy structural classification (with a load of 4,5 kN over 25 x 25mm<sup>2</sup> area)

#### Construction :

- steel frame (2,5 mm thickness) painted black (RAL9005)
- core out of extruded aluminium, satin anodised
- on request, both frame and core are available in a black nylon coating to give full electrical isolation where required.

## Specifications description

### Example :

Floor grille with steel frame and removable aluminium core for use in computer floors. Complete with damper. The core is satin anodised. The steel frame is painted black (RAL9005).

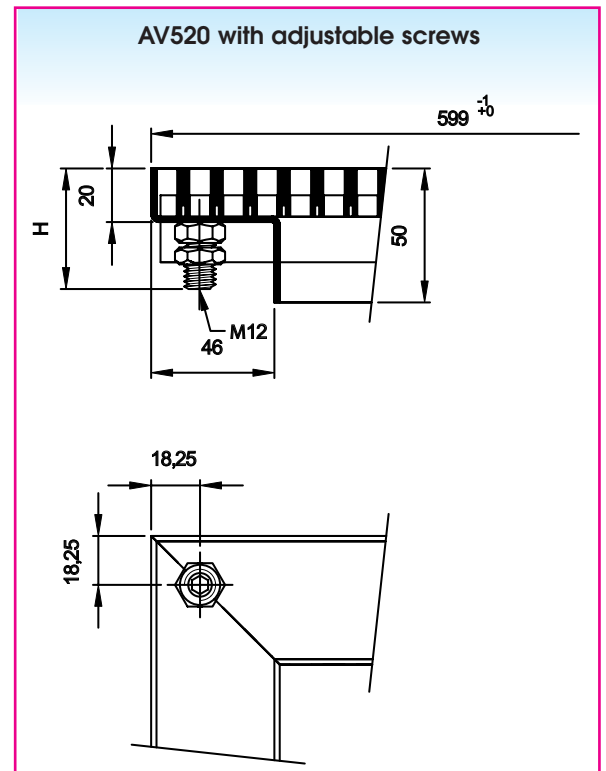
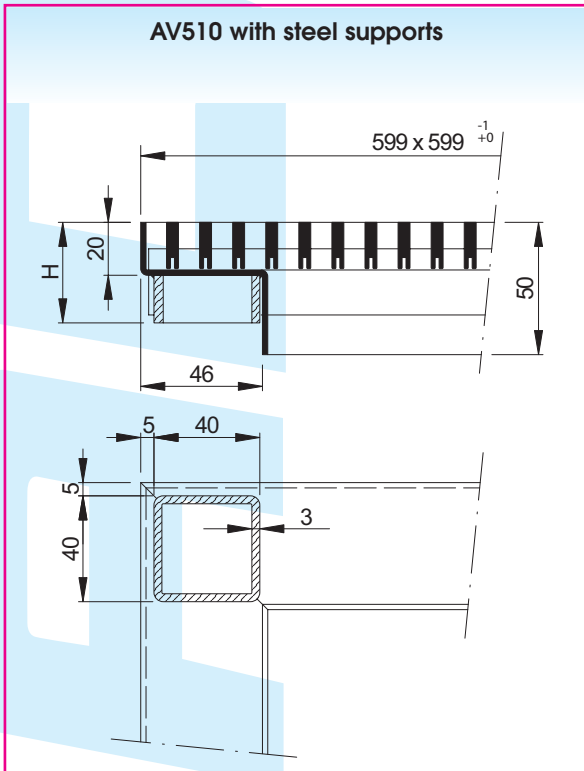
**Type : AV500 + GT007**  
nom. dim. (LxH) ... x ... mm

## Accessories

- **GT007** : damper with vertical opposed blades. Construction of galvanised sheet steel, painted black.  
(For details see catalogue p. 1 290)
- For depths larger than 20 mm: steel supports or adjustable screws to suit required depth to customer specification

## Fixing

- Supplied without fixings for lay-in application.



## How to order

AV500, dimension 600 x 600 mm with damper GT007

A	V	5	0	7	-	-	0	6	0	0	0	6	0	0
							L				H			

0 : with bars only  
7 : with damper  
3 : with perforated plate, 40% passage

0 : standard depth 20 mm  
1 : depth > 20 mm, with steel supports  
2 : depth > 20 mm, with adjustable screws

\* **NOTE** : if height is <20 mm, please mention size H

## Possible deliveries

- **AV500**  
Floor grille with straight front bars
- **AV507**  
AV500 with damper GT007
- **AV510**  
Floor grille with straight front bars like AV500 only provided with steel supports to become the required depth
- **AV517**  
AV510, with damper GT007
- **AV520**  
Floor grille with straight front bars like AV500 only provided with adjustable screws to become the required depth
- **AV527**  
AV520 with damper GT007